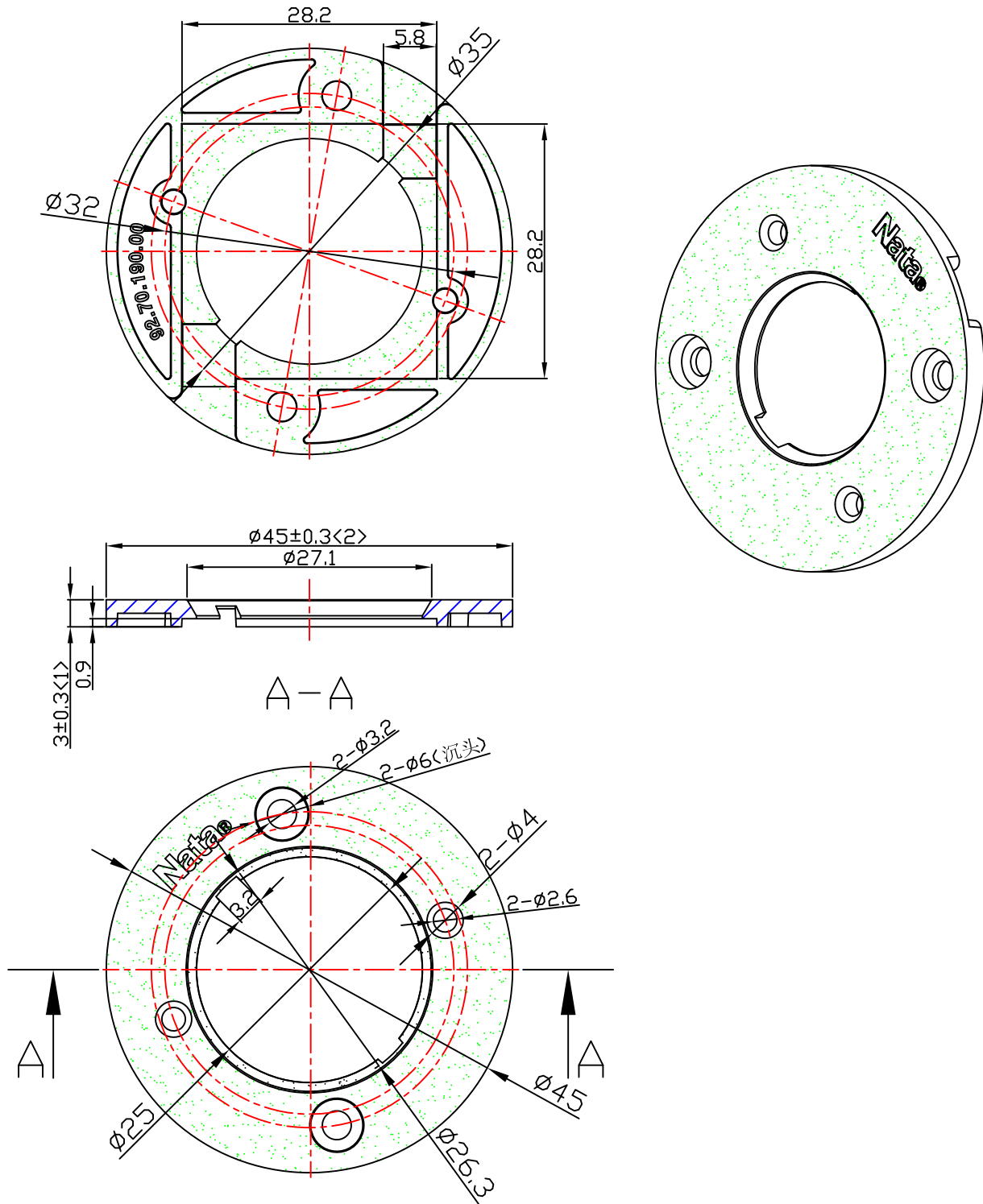


table for unmentioned tolerance in the drawing (unit: mm)					
0-5	5-30	30-120	120-250	250-400	400-700
±0.15	±0.2	±0.5	±0.8	±1.5	±2



					Material:PC		<b>Nata</b> <sup>®</sup> <b>NATA Lighting Co.,Ltd</b>	
							Customer Item	
							Customer Code	NT
							Product Number	92.70.190.00
							Product Name	CLU04x平面支架 D45xH3
Mark	Amended Times	Amended Content		Signature	Amended Date			
Control Version	A0	Design Version	K0	Client Version				
Designer		Drawing by		Proportion	1:1			
Technology		Auditor		View				
Approval		Date	2019.05.14	Page	Total Page			